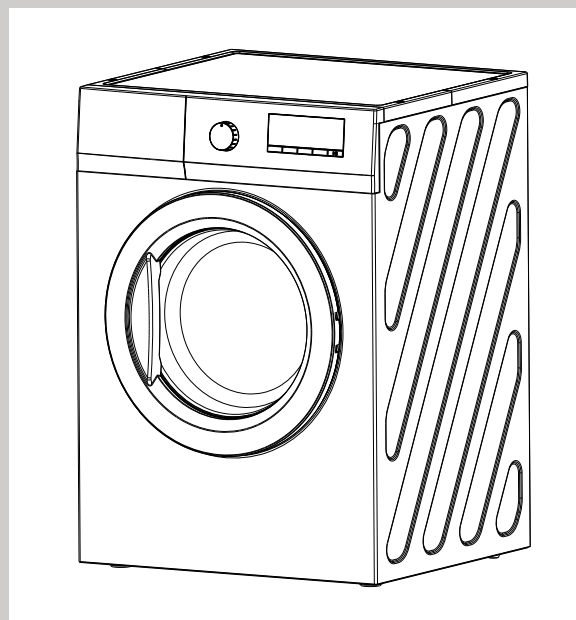


# ELBA

## EBD 751 V

### Dryer

### User Manual



## Table of Contents

<b>1. Important Safety Information</b> .....	4
<b>1.1. Preface</b> .....	4
<b>1.2. Safety Symbols</b> .....	4
<b>1.3. Safety Precautions</b> .....	4
<b>1.4. Safety Installation Warnings</b> .....	7
<b>1.5. Usage Warnings</b> .....	9
<b>1.6. Usage Precautions</b> .....	10
<b>2. Product Description</b> .....	13
<b>2.1. Technical Data</b> .....	13
<b>3. Installation Guide</b> .....	14
<b>3.1. Unpacking</b> .....	14
<b>3.2. Accessories (supplied)</b> .....	14
<b>3.3. Positioning of the Dryer</b> .....	15
<b>3.4. Level Adjustment</b> .....	16
<b>3.5. Fitting the Vent Hose</b> .....	17
<b>3.6. Electrical Connection</b> .....	18
<b>4. Control Panel</b> .....	19
<b>5. Operation</b> .....	23
<b>5.1. First Use</b> .....	23
<b>5.2. Operation Sequence</b> .....	23
<b>5.3. Modifying the Programme</b> .....	23
<b>5.4. End of the Programme</b> .....	24
<b>5.5. Drying Programmes Table Guides</b> .....	25
<b>5.6. Drying Tips</b> .....	26
<b>6. Care and Cleaning</b> .....	28

<b>6.1. Control Panel</b> .....	28
<b>6.2. Exterior Door</b> .....	28
<b>6.3. Interior Door</b> .....	28
<b>6.4. Drum</b> .....	28
<b>6.5. Lint Filter</b> .....	29
<b>7. Troubleshooting</b> .....	30
<b>8. Protecting the Environment</b> .....	32
<b>9. Warranty &amp; Service</b> .....	33

# **1. Important Safety Information**

## **1.1. Preface**

Thank you for purchasing an Elba appliance. Welcome to Elba.

Please read this manual carefully and retain it for future reference. It provides instruction, use and maintenance of your appliance. When contacting service, ensure that you have the model and serial numbers ready.

## **1.2. Safety Symbols**

What the icons and signs in this user manual mean:



**Important information concerning your personal safety and information on how to avoid damaging the appliance**



**General information and tips**



**Environmental information**

These warning signs are here to prevent injury to yourself and others.

Please follow them explicitly.

## **1.3. Safety Precautions**

- Read and understand thoroughly this safety instructions before use. The items indicated here are very important safety precautions, which must be followed. Any failures and losses caused by ignoring the above-mentioned items and cautions mentioned in the operation and installation are not covered by our warranty and any liability.
- This appliance can be used by children aged from 8 years and above and persons with reduced physical, sensory or mental capabilities or

lack of experience and knowledge if they have been given supervision or instruction concerning use of the appliance in a safe way and understand the hazards involved. Children shall not play with the appliance. Cleaning and user maintenance shall not be made by children without supervision.

- Children should be supervised to ensure that they do not play with the appliance.
- If the power cable is damaged, it must be replaced by the manufacturer, its service agent or similarly qualified persons in order to avoid a hazard.
- The tumble dryer is not to be used if industrial chemicals have been used for cleaning.
- The lint trap has to be cleaned frequently.
- Lint must not be allowed to accumulate around the tumble dryer.
- Do not dry unwashed items in the tumble dryer.

Items that have been soiled with substance such as cooking oil, acetone, alcohol, petrol, kerosene, spot removers, turpentine, waxes and wax removers should be washed in hot water with an extra amount of detergent before being dried in the tumble dryer.

- Items such as foam rubber (latex form), shower caps, waterproof textiles, rubber backed articles and clothes or pillows fitted with foam rubber pads should not be dried in the tumble dryer.
- Fabric softeners, or similar products, should be used as specified by the fabric softener instructions.
- The exhaust air must not be discharged into a flue which is used for exhausting fumes from appliance burning gas or other fuels.
- The appliance must not be installed behind a lockable door, a sliding door or a door with a hinge on the opposite side, to that of the tumble

dryer. In such a way that a full opening of the tumble dryer door is restricted.

- Oil-affected items can ignite spontaneously, especially when exposed to heat sources such as in a tumble dryer. The items become warm, causing an oxidation reaction in the oil. Oxidation creates heat. If the heat cannot escape, the items can become hot enough to catch fire. Piling, stacking or storing oil-affected items can prevent heat from escaping and so create a fire hazard.
- The appliance should not be overturned during normal use or maintenance.
- Remove all objects from pockets such as lighters and matches.
- For appliances with ventilation openings in the base, that a carpet must not obstruct the openings.
- Children of less than 3 years should be kept away unless continuously supervised.
- Plug must be accessible after installation.
- **⚠Warning:** The appliance must not be supplied through an external switching device, such as a timer, or connected to a circuit that is regularly switched on and off by a utility.
- Remove all packages before using the appliance. Otherwise, serious damage may result.

## 1.4. Safety Installation Warnings

**⚠ Warning:** The installation of this appliance must be performed by a qualified technician or service company.

- Failure to do so may result in electric shock, fire, an explosion, problems with the product, or injury.

Plug the power cord into a wall socket and use the socket for this appliance only. In addition, do not use an extension cord or adaptor.

- Sharing a wall socket with other appliances using a power strip or extending the power cord may result in electric shock or fire.
- Ensure that the power voltage, frequency and current are the same as those of the product specifications. Failure to do so may result in electric shock or fire. Plug the power plug into the wall socket firmly.

Remove all foreign substances such as dust or water from the power plug terminals and contact points using a dry cloth on a regular basis.

- Unplug the power plug and clean it with a dry cloth.
- Failure to do so may result in electric shock or fire.

Keep all packaging materials well out of the reach of children, as packaging materials can be dangerous to children.

- If a child places a bag over its head, it may result in suffocation.

This appliance must be properly grounded. Do not ground the appliance to a gas pipe, plastic water pipe, or telephone line.

- This may result in electric shock, fire, an explosion, or problems with the product.

- Never plug the power cord into a socket that is not grounded correctly and make sure that it is in accordance with local and national codes.

Do not install or keep the product exposed to the outdoor elements.

Do not use a damaged power plug, damaged power cord or loose wall socket.

- This may result in electric shock or fire.

If the plug (power supply cord) is damaged, it must be replaced by the manufacturer or its service agent or a similar qualified technician in order to avoid a hazard.

This appliance should be positioned to be accessible to the power plug after installation.

Do not pull or excessively bend the power cord.

Do not twist or tie the power cord.

Do not hook the power cord over a metal object, place a heavy object on the power cord, insert the power cord between objects, or push the power cord into the space behind the appliance.

- This may result in electric shock or fire.

Do not pull the power cord, when unplugging the power plug.

- Unplug the power plug by holding the plug.
- Failure to do so may result in electric shock or fire.

This appliance must be properly grounded. Never plug the power cord into a receptacle that is not grounded adequately and in accordance with local and national codes.

Install this appliance in a location with solid, level floor.



- Failing to do so may result in abnormal vibrations, noise or problems with the product.

### **1.5. Usage Warnings**

Do not let children or pets play with the product. In addition, when disposing of this product, disassemble the door lock (lever).

- This may result in children falling and injuring themselves.
- If children become locked in the product, there is a danger of suffocation.

Do not try to access the inside of the product when the drum is rotating. Do not lean against or sit on the product.

- This may result in the product turning over and resulting in injury.

Dry the laundry only after it was spun by an appropriate washing machine.

Do not dry unwashed items in the tumble dryer.

Do not dry laundry contaminated by inflammable materials such as gasoline, kerosene, benzene, thinner, alcohol, etc.

- This may result in electric shock, fire or explosion.

Do not let pets chew the cable or play with the dryer.

- This may result in electric shock or injury.

When disposing of the product, separate the door and the power cord before disposing of the product.

- Failing to do so may result in damage to the power cord or an injury.

Do not touch the power plug with wet hands.

- This may result in electric shock.

Do not attempt to repair, disassemble, or modify the appliance yourself.

- When repairing or reinstalling the appliance is required, contact your nearest service center.
- Failure to do so may result in electric shock, fire, problems with the product, or injury.

The product you have purchased is designed for domestic use only. The use for business purposes qualifies as product misuse.

If the product generates strange noise, smells of something burning, or generates smoke, immediately cut-off the power and contact the service center.

- Otherwise, it may cause an electric shock or fire as a result.

## **1.6. Usage Precautions**

### **CAUTION**

Do not stand on top of the appliance or place objects (such as laundry, lighted candles, lighted cigarettes, dishes, chemicals, metal objects, etc.) on the appliance.

- This may result in electric shock, fire, problems with the product, or injury.

Do not touch the glass door and inside of the drum during or just after drying as it is hot.

- This may result in burns.

The door glass becomes hot during drying. Therefore, do not touch the door glass. Also, do not allow children to play around the appliance or touch the door glass.

- This may result in burns.

Do not press the buttons using sharp objects such as pins, knives, fingernails, etc.

- This may result in electric shock or injury.

Do not dry laundry containing forming rubber (latex) or similar rubber textures.

- If forming rubber is heated, it may start a fire.

Do not dry laundry contaminated by vegetable oil or cooking oil as a large amount of the oil will not be removed when washing the laundry.

- The oxidization heat of the oil may start a fire.

Make sure that the pockets of all clothing to be dried are empty.

- Hard, sharp objects, such as coins, safety pins, nails, screws, or stones can cause extensive damage to the appliance.

Do not dry clothing with large buckles, buttons, or other heavy metal (zippers, hooks and eyelets, button-up covers).

If necessary, use the laundry net for small and lightweight laundry such as fabric tie belt, apron strings, and underwire bras which can dissolve or break during a cycle.

Do not use the dryer near dangerous powders such as coal dust, wheat flour, etc.

- This may result in electric shock, fire or an explosion.

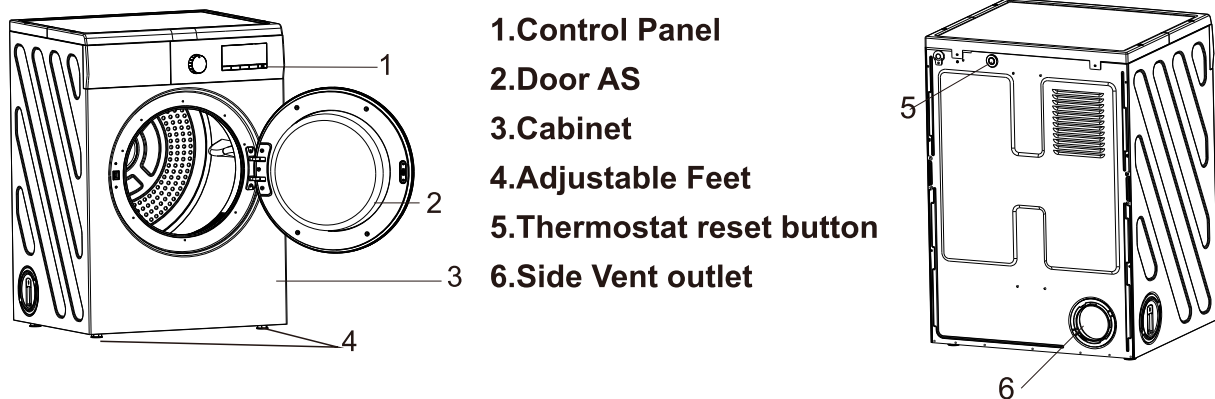
Do not place inflammable materials near the product.

- This may result in toxic gases from the product, damage to parts, electric shock, fire or an explosion.
- The appliance should not be placed behind lockable doors etc.

Do not touch the rear side of the appliance during or immediately after drying is complete.

- The appliance remains hot and may cause burns.

## 2. Product Description



### 2.1. Technical Data

Dry Capacity (kg)	7.0
Dimensions (W x D x H) (mm)	595x555x850
Power supply (Voltage / Frequency)	220-240 V / 50 Hz
Weight (kg)	30

**Note: All the above data in the table are tested according to EN61121:2013 standard.**

- ⚠ It is dangerous to alter the specifications or attempt to modify this product in any way.**
- ⚠ Care must be taken to ensure that the appliance does not stand on the electrical supply cable.**
- ⚠ Any electrical work required to install this appliance should be carried out by a qualified electrician or competent person.**

### **3. Installation Guide**

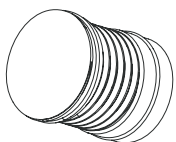

**IMPORTANT :** The appliance is not suitable for built-in.

#### **3.1. Unpacking**

All packings must be removed before using the appliance.

#### **3.2. Accessories (supplied)**

Open the accessory bag and check the accessories.

<b>Accessory</b>	<b>Name</b>	<b>Quantity</b>
	Vent Hose	1
	Manual	1

**⚠ Should the appliance be moved, it must be transported vertically.**

### 3.3. Positioning of the Dryer

Install the tumble dryer in a dust-free environment where the air ventilation is good.

Install the tumble dryer on a firm, level surface to reduce noise and vibration during operation.

The appliance must not be installed behind a lockable door, a sliding door or a door with a hinge on the opposite side, to that of the tumble dryer. In such a way that a full opening of the tumble dryer door is restricted.

- ▲ Note: If the floor is uneven, adjust the adjustable feet. Do not put any wooden pieces or other objects under foot bases.**

### Stacking Kit

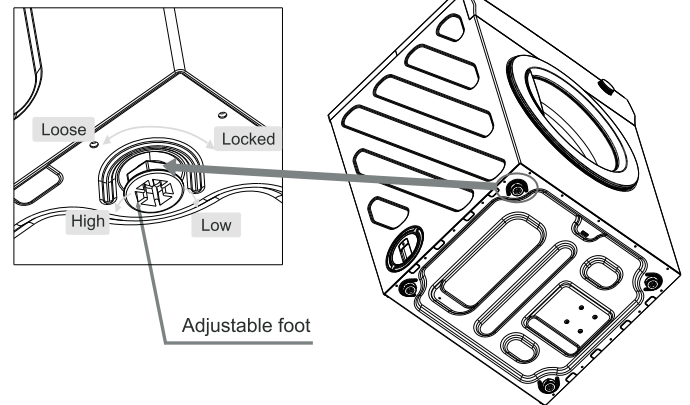
- ▲ A washing machine cannot be placed on the dryer. Pay attention to the warnings below when installing the dryer on a washing machine.**
- ▲ The dryer can only be placed on washing machines that have same capacity and above.**

To place the dryer on top of the washing machine, a special stacking kit is required as an additional accessory. Please contact customer service to acquire it. The assembly instructions will be served together with the stacking kit.

### 3.4. Level Adjustment

The machine must be stable and balanced on its feet. Adjust the feet again till the machine is balanced.

- Loosen the locknuts.
- Rotate the feet to the right and left until the dryer is even and stable.
- Tighten the locknut after ensuring the dryer is level.



**⚠️ Note: The locknuts must be tightened after adjusting the feet. The appliance must be balanced to reduce noise and vibration during operation.**

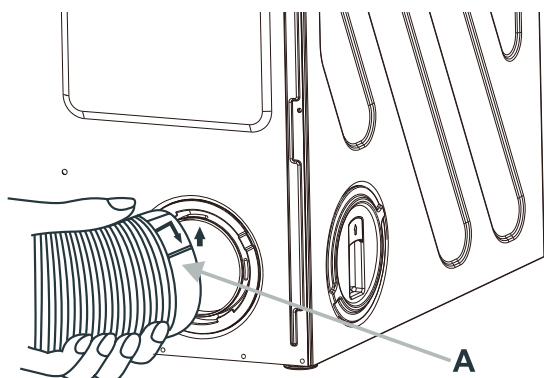
**⚠️ Never remove the adjustable feet. The floor clearance between the dryer and the floor should not be reduced with objects such as carpets, woods, or tapes.**

**⚠️ IMPORTANT: The hot air emitted by the tumble dryer can reach temperatures of up to 60°C. The appliance must not be installed on floors which are not resistant to high temperatures.**



### 3.5. Fitting the Vent Hose

The venting outlet is at the rear (back) of the appliance.



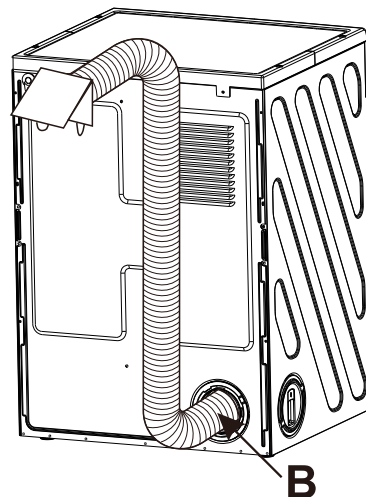
Connect the hose by pulling the ring nut (A) from the vent outlet at the back, aligning the arrows of the hose and ring nut, then fasten it by screwing the hose to the direction of arrow and pushing it firmly back into place.

Once the vent hose is connected to the dryer, place it to your desired outlet point and it shall contain no more than 2 bends.

Advice:

Condensation may occur if there is moisture in the hose.

To prevent condensation from occurring, it is advisable to drill a small hole (dia. 3mm) at the lowest point of the hose and place a small container below it. (See picture, point B).



**⚠** It is important not to connect the vent hose to, for example, a cooker hood, or a chimney or flue pipe designed to carry the exhaust from a fuel burning appliance.

Note that to avoid condensation problems, it is recommended for the dryer to be fitted with the vent hose for the exhaust air to be discharged outdoors (e.g. via a window).

To prevent the appliance from overheating, it is important that there is sufficient air ventilation.

If the dryer is installed next to kitchen units, please ensure that the vent hose is not squashed. The drying efficiency will be reduced, resulting in longer drying times and higher energy consumption if the hose is partially or completely squashed.

### 3.6. Electrical Connection

- Any electrical work required to install this appliance should be carried out by a qualified electrician or competent person.



**Warning: THIS APPLIANCE MUST BE EARTHED**

**⚠ The manufacturer declines any liability should this safety measure not be observed.**

Before switching on, make sure the electricity supply voltage is the same as that indicated on the appliance's rating plate.

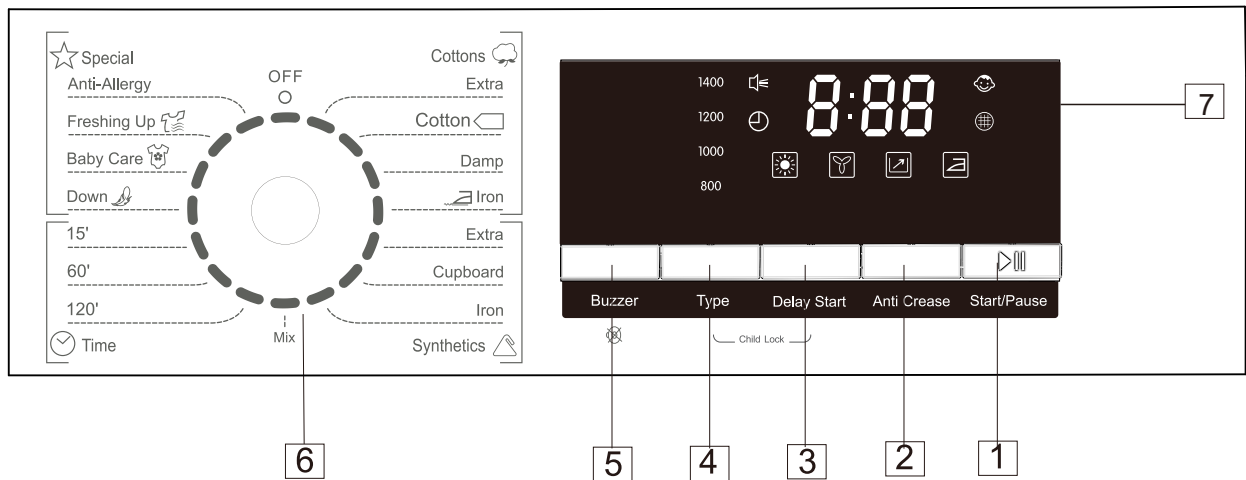
Should the plug need to be replaced for any reason, proceed as described below.

The wires in the mains lead are coloured in accordance with the following code:

- Green and Yellow-Earth
- Blue-Neutral
- Brown-Live

The wire coloured green and yellow must be connected to the terminal marked with the letter  $\oplus$  or by the earth symbol or coloured green and yellow.

## 4. Control Panel



1. Start/Pause
2. Anti-Crease
3. Delay Start
4. Spin Speed
5. Buzzer
6. Programme Selector Dial
7. Display

### 4.1. Start/Pause Button

Press this button to start the dryer after selecting the programmes and the functions.

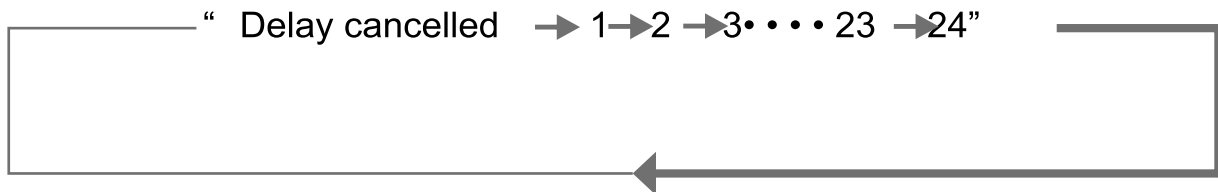
The dryer will pause after pressing the button again or opening the door while the programme is running. Programme cannot be selected while the dryer has paused, Buzzer and Anti-Crease are excepted. This button must be pressed again after closing the door to restart the programme from the point at which it was interrupted.

### 4.2. Anti-Crease Button

Anti-Crease can be selected while the programme has paused.

### 4.3. Delay Start Button

This button allows you to delay the starting of the programme by 24 hours max. This option must be selected after selecting the programme and before pressing Start/Pause to start the programme. When Start /Pause is pressed, the corresponding pilot lights start to flash and countdown begins. Every time the button is pressed, the time is increased by 1 hour.



The countdown begins after you have pressed the Start/Pause button. The corresponding light illuminates when you have pressed this button. All pilot lights go out except Delay Start pilot light.

### 4.4. Drying Type Button

This button allows you to select drying programme depending on the rotating speed of dryer.

### 4.5. Buzzer Button

The buzzer can be turned on or be turned off during the process.

By pressing “Buzzer” button, the buzzer is on, the corresponding pilot light comes on and a sound of “Bi” can be heard when it is not running.

When the buzzer is on, the signal will sound in the following case.

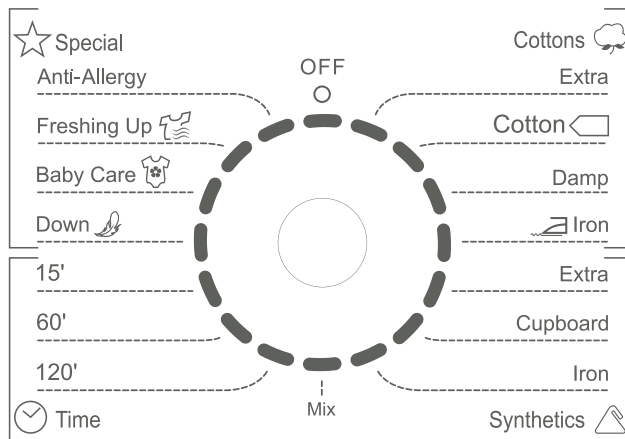
- When pressing any button.
- Ending sound while the programme finish.

When the buzzer is on, if you press the “buzzer” once more, the buzzer will be switched off.

## 4.6. Programme Selector Dial

The selector dial is divided following sections:

- Cottons
- Synthetics
- Time
- Special



Turn the programme selector dial to choose the programme. The corresponding light starts to flash on the control panel. The programme will be switched off if you have not pressed any button for 5 minutes.

The appliance detects the moisture in the load and automatically adjust the drying time for optimal drying. The table “Drying Program Guide” shown in Section 5.5. will help you in selecting the right programme.

Depending on the programme, different functions can be combined. These must be selected after choosing the desired programme and before pressing the Start / Pause button. When these buttons are pressed, the corresponding pilot lights flash on the Control Panel. When they are pressed again, the pilot lights go out.

### Time Controlled Drying

This mode gives you the option of selecting different time (15, 60 or 120 minutes) for drying. It can be used to finish off drying if the clothes are still not dry. Turning the programme selector dial to "off" to cancel the programme or to switch off the machine at the end of drying before removing the laundry.

## 4.7. Display

The display shows the following information:

- After you have selected the programme, its duration (in hours and minutes) appears on the display. It is calculated automatically based on the maximum recommended load for each type of fabric. When the programme starts, the remaining time is displayed.
- Delay start  
If you have selected a delay time, the remaining time is displayed. Once you press the “Start/Pause” button, the appliance will start the delayed process. If you want to check the programme selected, please press the “Start/Pause” once more and the time of selected programme shows.
- Incorrect option selection  
If you select an option that is incorrect or not compatible with the programme you have selected, the buzzer will sound as “Bi, Bi, Bi” to indicate error.

### 4.7.1. Indicator Lights

These lights indicate the following functions:

- Drying light “☀️” This light indicates that the appliance is in the drying phase.
- Cooling light “🧊” This light indicates that the appliance is in the cooling phase. At the end of drying, there is a 5 or 10 minutes cooling phase to cool the laundry.
- End of programme light “🏠” This light comes on at the end of the cooling phase.
- Anti-crease light “👔” This light comes on when anti-crease programme is selected.
- Filter light “🌐” The light comes on at every cycle to remind you that the filter must be cleaned at the end of the programme.
- Child Lock light “👶” This light indicates that the child lock activated.
- Buzzer light “🔊” This light comes on when buzzer programme is selected.
- Delay Start light “⌚” This light comes on when delay start programme is selected.
- Drying Type light. This light comes on when drying programme is selected depending on the rotating speed of dryer.

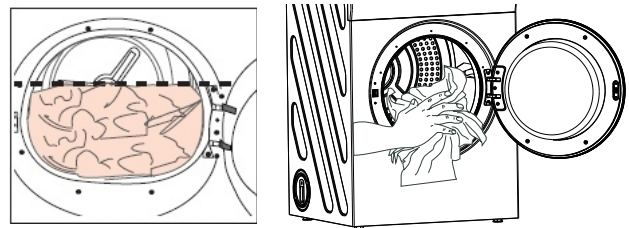
## 5. Operation

### 5.1. First Use

- Ensure that the electrical connections comply with the installation instructions.
- Remove the polystyrene block and any material from the drum.
- We recommend users to place a few damp cloths inside the appliance and dry for 30 minutes if using it for the first time as there may be dust inside.

### 5.2. Operation Sequence

1. Open the door (see picture).
2. **Load** the dryer loosely until it is not more than **TWO THIRDS FULL** to achieve better drying performance. Clothes must tumble freely in a dryer. **Do not overload.** Wet clothes fluff up when dry.



3. Switch on and Close the door. Please check the laundry does not get caught between the door and filter.
4. Turn the programme selector dial to select the drying programme.  
Note: Please see Drying Programme Table Guides in Section 5.5. for load size info.
5. Switch off the machine by turning the programme selector dial to "off" when you have finished using the dryer, then switch off at the power point. It is recommended to power off the appliance when not in use.
6. Clean the lint filter after each use.

### 5.3. Modifying the Programme

To change a programme which is running, first cancel it by turning the programme selector dial to "off". Select the new programme and press the Start button.

## **5.4. End of the Programme**

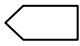
All drying programmes end with a 5 or 10 minutes cooling phase at the end of the programme. If you do not remove the laundry at the end of the cycle, the display will show "End" and the buzzer will sounds for 3 times. The programme will be switched off if you have not pressed any button for 5 minutes.

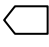
### **Important**

**If the door of the appliance is opened while the programme is running, the "Start" button must be pressed again after closing the door to resume the programme from the point at which it was interrupted.**



## 5.5. Drying Programmes Table Guides

Section	Course	Max load	Description of programme
Cottons	Extra	7kg	Drying bathrobe towelling towel, Jeans, work clothes
		7kg	Drying shirt, T-shirt, cotton trousers
	Light	7kg	Drying knitted items, cotton shirt
	Iron	7kg	Drying sheet, quilt cover, pillowcase, napkin
Synthetics	Extra	3.5kg	Drying sheet, tablecloth, synthetics items
	Cupboard	3.5kg	For synthetics items
	Light	3.5kg	For knitted items, shirt
Mix	Mix	3.5kg	Shirts, T-shirts, cotton trousers, bath towel
Time	15,60,120	7.0kg	Drying thick or multi-layered textiles, e.g. terry towelling items. For drying individual items of laundry or for small volumes.
Special	Down	3.5kg	For men's underwear panty waist, winter clothing
	Baby Care	3.5kg	Underwear, shirts, children's clothing
	Freshing Up	1.5kg	For silk items
	Anti-Bac	2.0kg	Underwear, shirts, T-shirts, cotton trousers

“  ” is for the "standard cotton programme". The programme is suitable to dry normal wet cotton laundry and it is the most efficient programme in terms of energy consumption for drying wet cotton laundry.

If the weight of laundry is less than 1 kg, it is more efficient to select "Time controlled Drying" programme.

## 5.6. Drying Tips

- Never tumble dry the following: Delicate items such as net curtains, woollen, silk, fabric with metal trim, nylon tights, bulky materials such as anoraks, blankets, eiderdown, sleeping bags, feather quilts and any item containing rubber foam or materials similar to foam rubber.
- Always follow the instructions on garment labels:



may be tumble dried



delicate drying (low temperature)



normal drying (high temperature)



do not tumble dry

- Do not place in your dryer undergarments such as bras and corsets that contain metal reinforcements. Your dryer may be damaged if metal part were to come loose from the garment. Place such items in a bag designed for this purpose.
- Check and empty pockets. Clip, pens, nails and pins can damage both the dryer and your clothes. Other item such as matches or cigarette lighters will cause a fire.
- Close all press studs, hooks, eyes and zips that may catch on something else. Tie all belts and apron string to prevent tangling.
- Drying time will depend on fabric type and construction, load size and wetness. Always spin the load as dry as possible.
- Always clean the lint filter. This will reduce drying time and save you money.
- The laundry must be thoroughly spun before tumble drying.
- Easy-care items e.g. shirt, should be briefly pre-spun before drying.
- To avoid static charge when drying is completed, use either a fabric softener when you are washing the laundry or a fabric conditioner specifically for tumble dryers.
- Remove the laundry when the dryer has finished drying.
- Do not over-dry laundry, this avoids creasing and saves energy.
- Clothes or towels containing sand or grit should be washed first.
- Due to variations in dryer load fabric texture and thickness it is possible that not all items will be dried evenly. If you experience uneven dryness, please use Time Dry Program. Always follow drying instructions attached to the items intended to be dried in a clothes dryer.

- Drying time will also be affected by voltage fluctuations, room temperature and humidity. Clothes will dry more slowly on a cool or humid day.
- For best results, sort the load according to fabric. Such as heavy items which may take longer to dry, e.g. towels, flannelette sheets, etc. than ones which dry quickly, e.g. poly/cotton shirts and sheets.
- Avoid drying dark clothes with light coloured items such as towels as lint will show on the dark clothes.
- Note: Some fabrics will collect lint from other clothes and items. Separate the lint “gives” and the lint “collectors” to minimise this problem.
- Clothes that give lint include towels, nappies, chenille. Clothes that collect lint include corduroy, synthetics and permanent press garments.
- If individual items are still damp after drying, set a post drying time. This will be necessary particularly for multi-layered items (e.g. collars, pockets, etc).

Here is a list of the average weights of some common laundry items:

Bathrobe	1200g	Night dress	200g
Napkin	100g	Ladies' briefs	100g
Quilt cover	700g	Men's work shirt	600g
Sheet	500g	Men's shirt	200g
Pillowcase	200g	Men's pyjamas	500g
Tablecloth	250g	Blouse	100g
Towelling towel	200g	Men's underpants	100g
Tea cloth	100g		

- Always follow the recommended loads indicated in the drying programme table guides. Below are some guidelines to when loading different kinds of fabrics in the dryer:
  - **Cotton, linen:** Drum full but not too tightly packed
  - **Synthetics:** Drum no more than half full
  - **Delicate fabrics and woollens:** Drum no more than quarter full.

## 6. Care and Cleaning

### **⚠ WARNING**

- Do not clean the dryer by directly spraying water onto the dryer.
- Do not clean the dryer with benzene, thinner, alcohol, or acetone. This may cause discoloration, deformation, damage, electric shock, or fire.
- Before cleaning the dryer, be sure to unplug the power cord.

### **6.1. Control Panel**

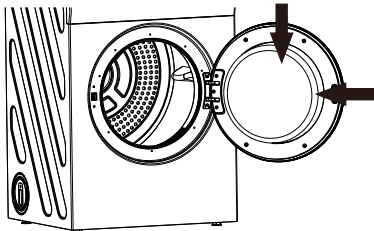
Clean with a soft, damp cloth. Do not use abrasive cleaners. Do not spray cleaners directly on the panel. Immediately wipe up any spills or liquids from the control panel.

### **6.2. Exterior Door**

Clean with a soft, damp cloth. Do not use abrasive cleaners. Avoid using or placing sharp or heavy objects near/on the dryer. Keep detergent and laundry supplies in a separate storage container.

### **6.3. Interior Door**

Clean with a soft, damp cloth.

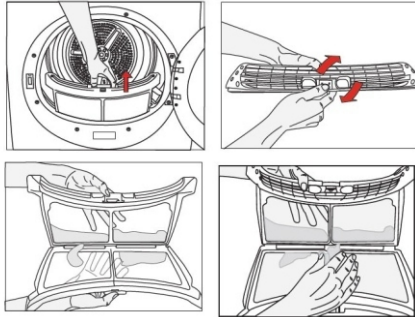


### **6.4. Drum**

Clean with a damp cloth with a mild, non-abrasive cleaner suitable for stainless steel. Wipe remaining residue with a clean, dry cloth.

## 6.5. Lint Filter

Clean the lint filter after each load. The filter collects all the fluff which accumulates during drying.



Cleaning the lint filter.

1. Open the door and pull the lint filter upward to remove.
2. Open apart the lint filters and remove the lint from both filters, and then clean with a damp cloth.
3. Once the lint filter is cleaned, put it back. It can be inserted into the pocket only one way.

### **⚠ CAUTION**

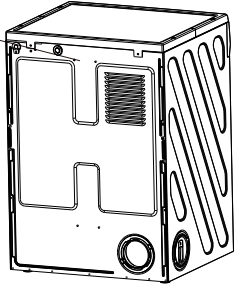
- Clean the lint filter after each load. Otherwise, the drying performance may decrease.
- Do not operate the dryer without the lint filter.
- Do not allow lint to build around your dryer.
- Using the dryer with a wet lint filter may cause mold, bad odors, or a decrease in drying performance.
- A torn or damaged lint filter must be replaced immediately.
- Overloading can increase lint build-up because the airflow is reduced

## 7. Troubleshooting


Certain problems are due to lack of simple maintenances or oversights, which can be solved easily without calling Customer Service Centre. Before contacting Service Centre, please check possible cause of malfunction and solution listed below.

Once the problem has been eliminated, press the Start/Pause button to restart the programme. If after all checks, the problem persists, contact Customer Service Centre. Get ready the model, serial numbers and the date of purchase before calling.

<b>Malfunction</b>	<b>Possible causes</b>
The dryer does not start	<ul style="list-style-type: none"><li>• Plug is not firmly in socket, or power not turned on.</li><li>• You have blown a fuse. Check the power point with another appliance.</li><li>• The loading door is not closed.</li></ul>
Your clothes are still wet	<ul style="list-style-type: none"><li>• The selected drying time was insufficient. Select a longer time setting or select a different programme.</li><li>• Check that the lint filter is not blocked.</li><li>• Make sure the dryer is not overloaded.</li><li>• Sort light and heavy items separately.</li><li>• Reposition large, bulky items to ensure even drying.</li></ul>
Dries unevenly	<ul style="list-style-type: none"><li>• Seams, pockets, and other parts of clothing are harder to dry than others. This is normal. Select a longer time setting or select a different programme.</li><li>• Sort heavy and light items separately.</li></ul>
Dryer turns off before the load is dry	<ul style="list-style-type: none"><li>• Dryer load is too small. Add more items and restart the cycle.</li><li>• Dryer load is too large. Remove items and restart the cycle.</li></ul>

<p>Lint on clothes</p>	<ul style="list-style-type: none"> <li>• Make sure the lint filter is clean before every load.</li> <li>• Dry lint-producing items (fuzzy towels) separate from lint trappers, such as black linen pants.</li> <li>• Divide larger loads into smaller loads.</li> </ul>
<p>Heating element is not working</p>	<ul style="list-style-type: none"> <li>• The manual thermostat has disconnected. Turn the programme selector dial to the position "Synthetics Light". Press both the Start button and thermostat restart button approximately 20 minutes later.</li> </ul> <p><b>Thermostat reset button</b> ← </p>

## **8. Protecting the Environment**

The  symbol on the product or on its packaging indicates that this product may not be treated as household waste. Instead, it should be taken to the appropriate collection point for the recycling of electrical and electronic equipment. By ensuring this product is disposed of correctly, you will help prevent potential negative consequences for the environment and human health, which could otherwise be caused by inappropriate waste handling of this product. For more detailed information about recycling of this product, please contact your local council, your household waste disposal service or the shop where you purchased the product.



## **9. Warranty & Service**

- To activate your warranty, please register your appliance.
- Warranty registration can be done via our website or scan the QR code below

### **Website**

<https://shop.casa.sg/E-Warranty>

### **QR Code**

Scan the QR Code below. It will redirect straight to our “Warranty Registration” page.



***Casa (S) Pte Ltd. reserves the rights to the final interpretation of the content of this manual. Customer will not be notified in the event of any amendments to the content.***

***The manufacturer and agent decline all responsibilities in the event of damage caused by improper, incorrect or illogical use of the appliance.***

***Contact after sales service centre when in doubt of the condition of the appliance.***

**For customer care / after sales service [Singapore], please contact**

**Casa (S) Pte Ltd**

15, Kian Teck Crescent, Singapore 628884

**Telephone:** +65 6268 0077

**Fax:** +65 6898 0510

**Email:** [service@casa.com.sg](mailto:service@casa.com.sg)