

Instructions for the use - Installation advices

DOMINO COOKING HOBS EHS 311D1 S EHS 321D1 S

100% ELBA QUALITY MADE IN ITALY



ELBA
TALENT FOR COOKING



Made in Italy

Dear Customer,

Thank you for having purchased and given your preference to our product.

The safety precautions and recommendations reported below are for your own safety and that of others. They will also provide a means by which to make full use of the features offered by your appliance.

Please preserve this booklet carefully. It may be useful in future, either to yourself or to others in the event that doubts should arise relating to its operation.

This appliance must be used only for the task it has explicitly been designed for, that is for cooking foodstuffs. Any other form of usage is to be considered as inappropriate and therefore dangerous.

The manufacturer declines all responsibility in the event of damage caused by improper, incorrect or illogical use of the appliance.

IMPORTANT SAFETY PRECAUTIONS AND RECOMMENDATIONS

IMPORTANT: This appliance is designed and manufactured solely for the cooking of domestic (household) food and is not suitable for any non domestic application and therefore should not be used in a commercial environment.

The appliance guarantee will be void if the appliance is used within a non domestic environment i.e. a semi commercial, commercial or communal environment.

Read the instructions carefully before installing and using the appliance.

- This appliance has been designed and manufactured in compliance with the applicable standards for the household cooking products, including those for surface temperatures. Some people with sensitive skin may have a more pronounced temperature perception with some components although these parts are within the limits allowed by the norms. The complete safety of the appliance also depends on the correct use, we therefore recommend to always pay a extreme attention while using the product, especially in the presence of children.
- After having unpacked the appliance, check to ensure that it is not damaged. In case of doubt, do not use it and consult your supplier or a professionally qualified technician.
- Packing elements (i.e. plastic bags, polystyrene foam, nails, packing straps, etc.) should not be left around within easy reach of children, as these may cause serious injuries.
- Some appliances are supplied with a protective film on steel and aluminium parts. **This film must be removed before using the appliance.**
- **IMPORTANT:** The use of suitable protective clothing/gloves is recommended when handling or cleaning this appliance.
- Do not attempt to modify the technical characteristics of the appliance as this may become dangerous to use. The manufacturer declines all responsibility for any inconvenience resulting from the inobservance of this condition.

- **CAUTION:** this appliance must only be installed in a permanently ventilated room in compliance with the applicable regulations.
- Do not carry out cleaning or maintenance operations on the appliance without having previously disconnected it from the electric power supply.
- Do not use a steam cleaner because the moisture can get into the appliance therefore making it unsafe.
- Do not cover the hob with aluminium foils.
- Do not touch the appliance with wet or damp hands (or feet).
- Do not use the appliance whilst in bare feet.
- If you should decide not to use this appliance any longer (or decide to substitute another model), before disposing of it, it is recommended that it be made inoperative in an appropriate manner in accordance to health and environmental protection regulations, ensuring in particular that all potentially hazardous parts be made harmless, especially in relation to children who could play with unused appliances.
- The various components of the appliance are recyclable. Dispose of them in accordance with the regulations in force in your country. If the appliance is to be scrapped, remove the power cord.
- After use, ensure that the knobs are in the off position.
- Children less than 8 years of age shall be kept away unless continuously supervised.
- This appliance can be used by children aged from 8 years and above and persons with reduced physical, sensory or mental capabilities or lack of experience and knowledge if they have been given supervision or instruction concerning use of the appliance in a safe way and understand the hazards involved. Children shall not play with the appliance. Cleaning and user maintenance shall not be made by children without supervision.
- The manufacturer declines all liability for injury to persons or damage to property caused by incorrect or improper use of the appliance.
- **WARNING:** During use the appliance and its accessible parts become hot; they remain hot for some time after use.

- Care should be taken to avoid touching heating elements on the hob.
- To avoid burns and scalds, young children should be kept away.
- Make sure that electrical cables connecting other appliances in the proximity of the cooktop cannot come into contact with the hob.
- **WARNING:** Unattended cooking on a hob with fat or oil can be dangerous and may result in fire. NEVER try to extinguish a fire with water, but switch off the appliance and then cover flame e.g. with a lid or a fire blanket.
- **WARNING:** Danger of fire: do not store items on the cooking surfaces.
- **WARNING:** When correctly installed, your product meets all safety requirements laid down for this type of product category. However special care should be taken around the underneath of the appliance as this area is not designed or intended to be touched and may contain sharp or rough edges, that may cause injury.
- **CAUTION:** The cooking process has to be supervised. A short term cooking process has to be supervised continuously.
- If the power supply cable is damaged, it must be replaced only by an authorized service agent in order to avoid a hazard.
- **For use with Town Gas:**
 - Do not attempt to modify or replace the external gas regulator as it may cause safety issue.
 - It is recommended to replace the external gas regulator every 2 years. Replacement of external gas regulator and service cost will be borne by customer.

ADVICE
for the
INSTALLER

IMPORTANT :

- The appliance is designed and approved for domestic use only and should not be installed in a commercial, semi commercial or communal environment.
Your product will not be guaranteed if installed in any of the above environments and could affect any third party or public liability insurances you may have.
- This appliance is to be installed, regulated and adapted to function only by an authorized person in compliance with the current local regulations in force and in observation of the instructions supplied by the manufacturer.
Failure to comply with this condition will render the guarantee invalid.
- The appliance must be installed in compliance with regulations in force in your country and in observation of the manufacturer's instructions.
- Installation technicians must comply to current laws in force concerning ventilation and the evacuation of exhaust gases.
- Incorrect installation, for which the manufacturer accepts no responsibility, may cause personal injury or damage.
- This appliance shall only be serviced by authorized personnel.
- Always disconnect the appliance from mains power supply before carrying out any maintenance operations or repairs.
- **Important: The use of suitable protective clothing/gloves is recommended when handling or cleaning of this appliance.**
- **These tops are designed to be embedded into kitchen fixtures measuring 600 mm in depth, working surface 20 to 40 mm thick.**
- **The appliance must be housed in heat-resistant units.**
- **The walls of the units must not be higher than work top and must be capable of resisting temperatures of 105°C above room temperature.**
- **We would point out that the adhesive which bonds the plastic laminate to the furniture must withstand temperatures not less than 150°C to avoid delamination.**
- **Do not install the appliance near inflammable materials (eg. curtains).**

WARNING!

When correctly installed, your product meets all safety requirements laid down for this type of product category. However special care should be taken around the underneath of the appliance as this area is not designed or intended to be touched and may contain sharp or rough edges, that may cause injury.

1 INSTALLATION

TECHNICAL INFORMATION FOR THE INSTALLER

In order to install the cooker top into the kitchen fixture, a hole with the dimensions shown in fig. 1.2 has to be made, bearing in mind the following:

- A 30 mm ventilation gap must be provided between the bottom of the appliance and any cabinetry, draw unit or appliance.
- If the cooktop is installed above an oven, the two appliances shall be connected to the gas and/or electrical supply with independent connections.
- The cooker top must be kept no less than 100 mm away from any side wall (from side edge of cutout - fig. 1.1).
- The hob must be installed at least 50 mm from the wall (from rear edge of cutout - fig. 1.2).
- There must be a distance of at least 650 mm between the hob and any wall cupboard or extractor hood positioned immediately above (see fig. 1.1).

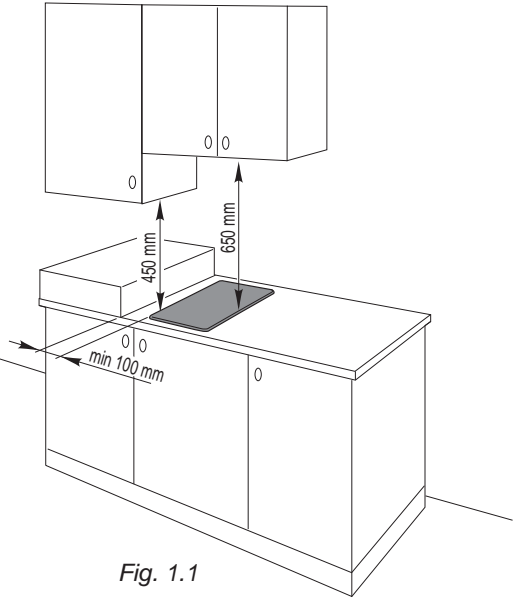


Fig. 1.1

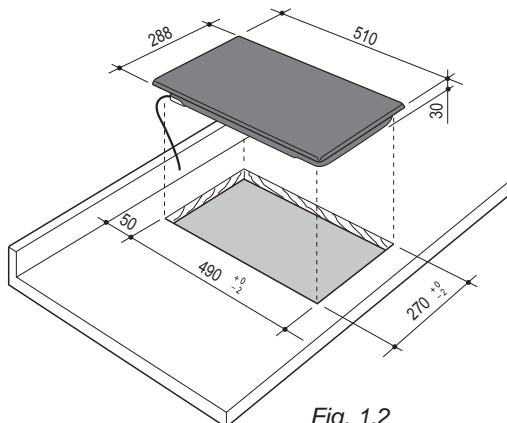


Fig. 1.2

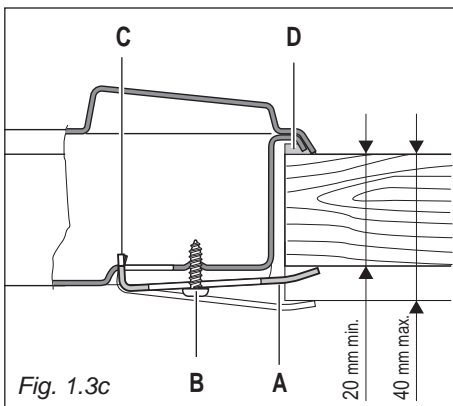
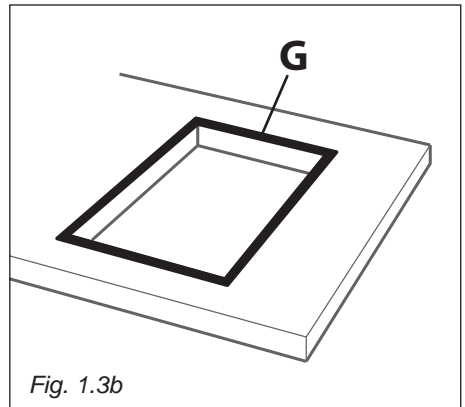
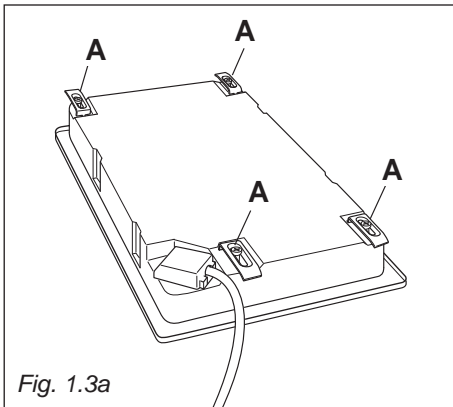
FASTENING THE INSTALLATION BRACKETS (figs. 1.3a, 1.3b, 1.3c)

Each cooktop is provided with an installation kit including brackets and screws for fastening the cooktop to benches from 20 to 40mm thick.

The kit includes two “F” type brackets (for the front of the cooktop), two “R” type brackets (for the rear of the cooktop) and four self-threading screws “S”.

The kit includes 4 tabs “A” and 4 selfthreading screws “B”.

- Cut the unit.
- Stretch gasket “G” over the edge of the hole made, being careful to overlay the junction edges (fig. 1.2b).
- Turn the cooktop over and put tabs “A” (fig. 1.2a) into the mountings, only tighten screws “B” a few turns. Make sure that the tabs are mounted correctly as shown in the figure 1.2c. Turn the tabs so that the cooktop can be put into the hole.
- Put the cooktop into the hole cut into the unit and position it correctly.
- Put tabs “A” into place, tooth “C” of the tabs should go into the hole.
- Tighten screws “B” until the cooktop is completely secured.
- Using a sharp tool cut off the part of gasket “G” which protrudes from the cooktop. Take care not to damage the benchtop.



VENTILATION REQUIREMENTS

The appliance must be installed in compliance with applicable local regulations concerning ventilation and the evacuation of exhaust gases.

Intensive and prolonged use may require extra ventilation, e.g. opening a window, or more efficient ventilation increasing the mechanical suction power if this is fitted.

CHOOSING SUITABLE SURROUNDINGS

The room where the gas appliance is to be installed must have a natural flow of air so that the gas can burn (in compliance with applicable local regulations).

The flow of air must come directly from one or more openings made in the outside walls with a free area of at least 100 cm² (or refer to applicable local regulations).

The openings should be near the floor and preferably on the side opposite the exhaust for combustion products and must be made so that they cannot be blocked from either the inside or the outside.

When these openings cannot be made, the necessary air can come from an adjacent room which is ventilated as required, as long as it is not a bed room or a danger area (in compliance with applicable local regulations).

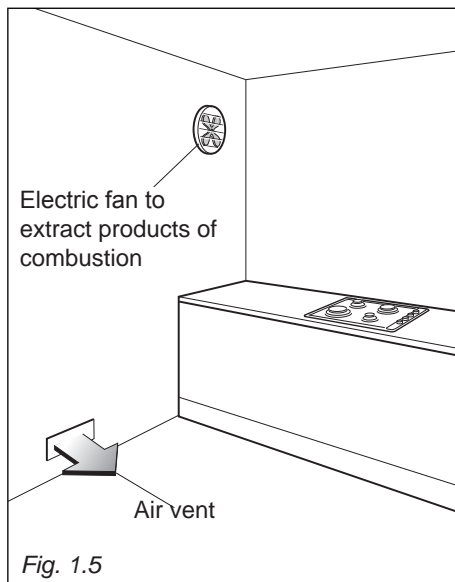
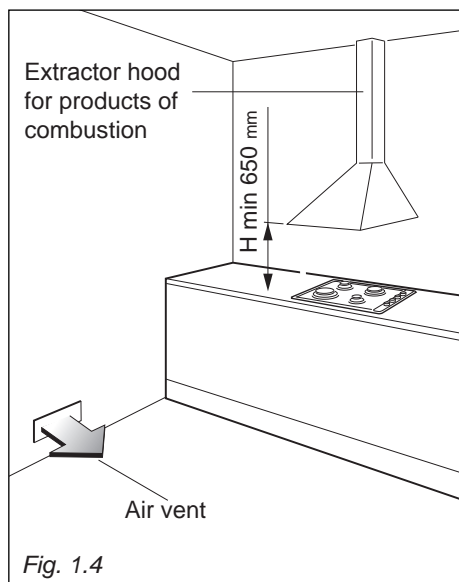
In this case, the kitchen door must allow the passage of the air.

DISCHARGING PRODUCTS OF COMBUSTION

Extractor hoods connected directly to the outside must be provided, to allow the products of combustion of the gas appliance to be discharged (fig. 1.4).

If this is not possible, an electric fan may be used, attached to the external wall or the window; the fan should have a capacity to circulate air at an hourly rate of 3-5 times the total volume of the kitchen (fig. 1.5).

The fan can only be installed if the room has suitable vents to allow air to enter, as described under the heading "Choosing suitable surroundings".



GAS INSTALLATION REQUIREMENTS

Important !

- Before installation, make sure that the local distribution conditions (gas type and pressure) and the adjustment of this appliance are compatible. The appliance adjustment conditions are given on the plate or the label.
- This appliance must be installed and serviced only by a suitably qualified, registered installer with technical knowledge of both gas installation and electricity. The installation or service must comply with the current editions of the applicable standards, regulations, and codes of practice governing gas and electrical installations.
- Failure to install the appliance correctly could invalidate any manufacturer's warranty.

This appliance is supplied for use on Natural gas, LPG or Town Gas (check the gas regulation label attached on the appliance).

- Appliances supplied for use on Natural gas: they are adjusted for this gas only and cannot be used on any other gas (LPG or Town gas) without modification. The appliances are manufactured for conversion to LPG and Town gas.
- Appliances supplied for use on LPG: they are adjusted for this gas only and cannot be used on any other gas (Natural or Town gas) without modification. The appliances are manufactured for conversion to Natural and Town gas.
- Appliances supplied for use on Town gas: they are adjusted for this gas only and cannot be used on any other gas (Natural gas or LPG) without modification. The appliances are manufactured for conversion to Natural gas and LPG. External Gas Regulator must be installed for use on Town Gas.

If the Natural gas/LPG/Town gas conversion kit is not supplied with the appliance this kit can be purchased by contacting the After-Sales Service.

CONNECTING THE COOKTOP TO THE GAS SUPPLY

- The gas connection must be carried out by an authorised person according to the relevant local standards.
- Ensure that the room in which the cooktop is to be installed is adequately ventilated, in compliance with applicable regulations.
- **Note:** Connection to the gas supply may be made using either a rubber hose (where permitted) or by using a flexible hose or rigid pipe.
- The rear of the chassis is recessed to provide a channel for the appliance inlet pipe.
- The gas connection fitting (brass elbow) can be turned in the direction required (but never in a vertical or horizontal position) after loosening the elbow and floating nut connection. Never attempt to turn the elbow without having first loosened the floating nut.
- The supplied sealing washers guarantee a good seal for the gas connection. We recommend that you replace the sealing washers on the slightest sign of wear, deformation or imperfection.
- After connecting to the gas mains, check that the couplings are correctly sealed, using soapy solution, but never a naked flame.

GAS CONNECTION WITH A RUBBER HOSE (NATURAL GAS OR LPG ONLY)

Important !

A rubber hose connection shall only be made if permitted by the applicable local regulations.

The gas connection fitting (fig. 2.1) is made up of:

- the appliance inlet pipe;
- the floating nut;
- the brass elbow;
- the sealing washers;
- the appropriate hose holder (for LPG or NATURAL GAS).

Important!

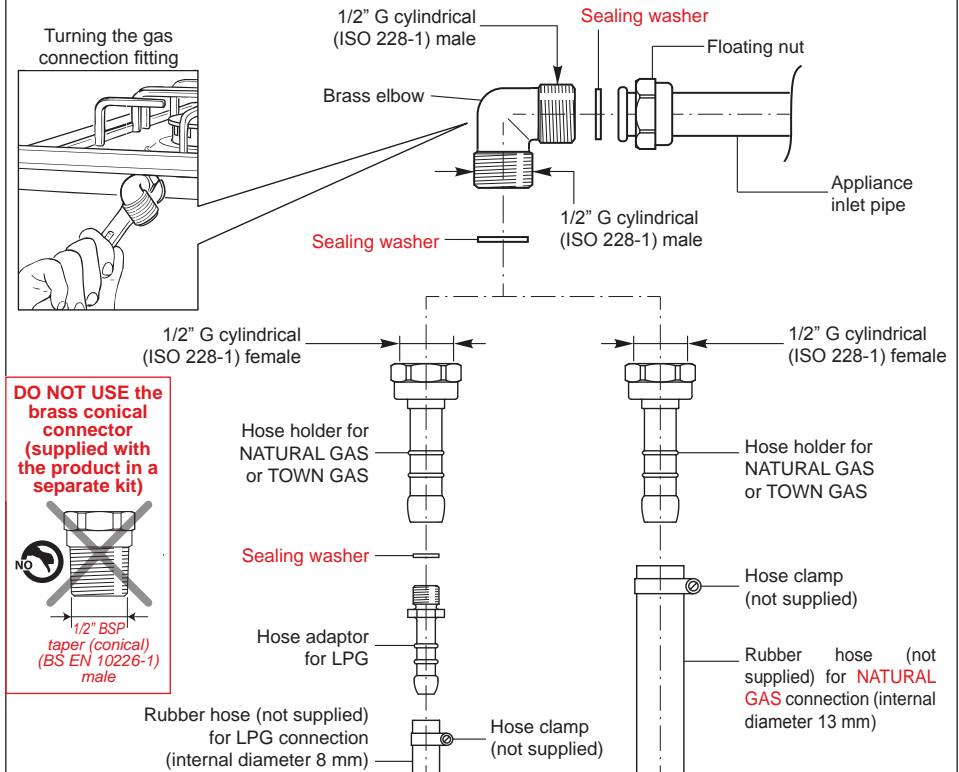
- Do not fit the brass conical connector, supplied with the product in a separate kit, to the brass elbow.

Fig. 2.1

Gas connection with rubber hose holder (Natural gas or LPG only)

Note: if not already fitted on the inlet pipe, the hose holder is supplied with the product in a separate kit; if not supplied with the appliance it can be purchased by contacting Customer Care.

(Important: to be used ONLY IF PERMITTED by the local applicable regulations)



Connecting the appliance to LPG

1. If not already fitted, fit the **NATURAL GAS** hose holder on the inlet pipe, making sure that you place the sealing washer between them (as shown in fig. 2.1); then fit the LPG adaptor to the **NATURAL GAS** hose holder, making sure that you place the sealing washer between them (as shown in fig. 2.1).

Important! The LPG hose holder is composed by NATURAL GAS hose holder with LPG hose adaptor screwed at the bottom end (interposing the proper sealing washer between them).

2. Connect the appliance to the gas supply using a suitable rubber hose (internal diameter 8 mm).
The hose must comply with the applicable local regulations and be of the correct construction for the type of gas being used.
3. Make sure that the hose is tightly and securely fitted at both ends.
4. Use a standard hose clamp (not supplied) to fasten the hose.
5. Install a gas pressure regulator.

Important!

To comply with applicable local regulations, a gas pressure regulator (conforming to the local regulations in force) must be installed when connecting the appliance to an LPG cylinder.

Connecting the appliance to NATURAL GAS

1. If not already fitted, fit the **NATURAL GAS** hose holder on the inlet pipe, making sure that you place the sealing washer between them (as shown in fig. 2.1).
2. Connect the appliance to the gas supply using a suitable rubber hose (internal diameter 13 mm).
The hose must comply with the applicable local regulations and be of the correct construction for the type of gas being used.
3. Make sure that the hose is tightly and securely fitted at both ends.
4. Use a standard hose clamp (not supplied) to fasten the hose.

When connecting the appliance to the gas supply with a rubber hose, make sure that

- the hose is as short as possible, without twists or kinks.
- the hose is not longer than 750 mm (or refer to applicable local regulations) and does not come into contact with sharp edges, corners or moving parts, as these may cause abrasion. Use a single rubber hose only; never connect the appliance with more than one rubber hose.
- the hose is not under tension, twisted, kinked, or too tightly bent, neither while the appliance is in use nor while it is being connected or disconnected.
- the hose does not come into contact with any part of the appliance with a surface temperature of 70°C or above (or refer to applicable local regulations).
- the hose is not subject to excessive heat by direct exposure to flue products or by contact with hot surfaces.
- the hose can easily be inspected along its entire length to check its condition.
- the hose is replaced at the printed due date or if it shows signs of wear or damage, and replaced regardless of its condition after a maximum of three years.
- you inform the customer that the gas cylinder valve or the gas supply valve immediately by the appliance should be closed when the cooktop is not in use.
- you inform the customer that the hose should not be subjected to corrosion by acidic cleaning agents.

After connecting the appliance to the gas supply, make sure that you

- check that the connections are correctly sealed using a soapy solution, but never a naked flame.
- check whether the injectors are correct for the type of gas being used. If not, follow the instructions under “GAS MAINTENANCE”.
- replace the sealing washer/s on the slightest sign of deformation or imperfection. The sealing washer/s is/are the part/s which guarantee/s a good seal in the gas connection.

GAS CONNECTION WITH RIGID PIPES OR A FLEXIBLE HOSE (NATURAL GAS OR LPG ONLY)

The gas connection fitting (fig. 2.2) is made up of:

- the appliance inlet pipe;
- the floating nut;
- the brass elbow;
- the sealing washers.

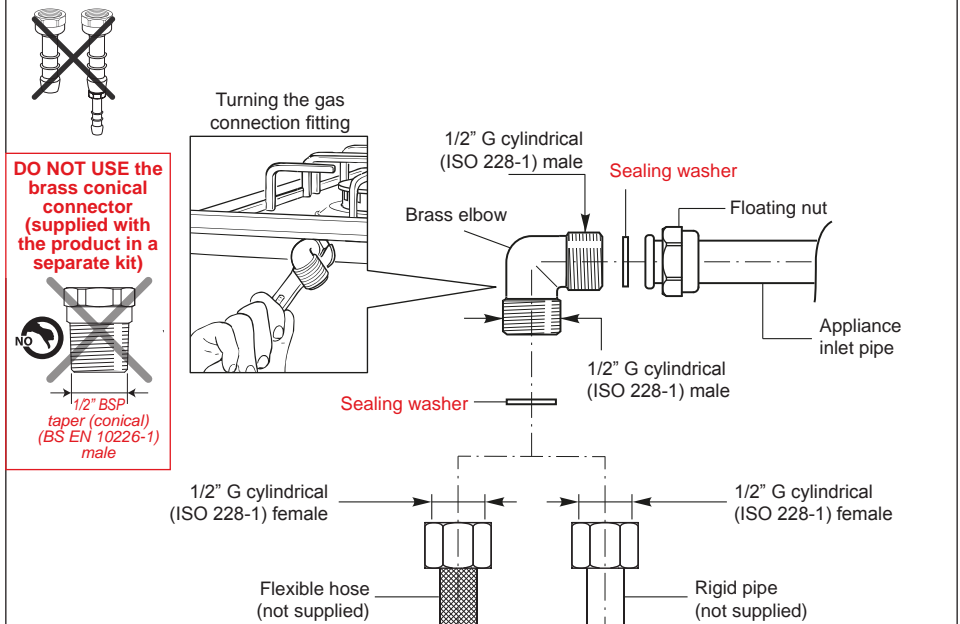
Important!

- If fitted, remove the hose holder from the terminal fitting of the inlet pipe.
- **Do not fit the brass conical connector, supplied with the product in a separate kit, to the brass elbow.**

Fig. 2.2

Gas connection with rigid pipes or a flexible hose (Natural Gas or LPG only)

Note: if already fitted on the inlet pipe, remove the rubber hose holder



When connecting the appliance to the gas supply with rigid pipes or a flexible hose, make sure that

- you use rigid pipes or a flexible hose complying with applicable local regulations. The flexible hose shall be of the correct construction for the type of gas being used and of the correct size to maintain the heat output of the appliance.
- the connection with rigid metal pipes does not cause stress or pressure to the gas piping.
- the flexible hose is not under tension, twisted, kinked or too tightly bent, neither while the appliance is in use nor while it is being connected or disconnected.
- the flexible hose does not exceed 2000 mm in length (or refer to applicable local regulations) and does not come into contact with sharp edges, corners or moving parts, as these may cause abrasion. Use a single flexible hose only; never connect the appliance with more than one flexible hose.
- the flexible hose can easily be inspected along its entire length to check its condition; if it has an expiry date, it should be replaced before that date.
- if using a flexible hose which is not entirely made of metal, make sure that it does not come into contact with any part of the cooktop with a surface temperature of 70°C or above (or refer to applicable local regulations).
- the flexible hose is not subject to excessive heat by direct exposure to flue products or by contact with hot surfaces.
- the rigid pipe or flexible hose is replaced if it shows signs of wear or damage.
- a gas pressure regulator, in compliance with the applicable local regulations, is installed when connecting to an LPG cylinder.
- the socket into which the plug of the flexible hose fit is permanently attached to a firmly fixed gas installation pipe and is positioned so that the hose hangs freely downwards.
- the plug of the flexible hose is accessible after installation, so that it can be disconnected for service or removal.
- you inform the customer that the cylinder valve or the supply valve immediately by the appliance should be closed when the cooktop is not in use.
- you inform the customer that the rigid pipe or flexible hose should not be subjected to corrosion by acidic cleaning agents.

After connecting the appliance to the gas supply, make sure that you

- check that the connections are correctly sealed using a soapy solution, but never a naked flame.
- check whether the injectors are correct for the type of gas being used. If not, follow the instructions under “GAS MAINTENANCE”.
- replace the sealing washer/s on the slightest sign of deformation or imperfection. The sealing washer/s is/are the part/s which guarantee/s a good seal in the gas connection.

GAS CONNECTION FOR TOWN GAS ONLY

The gas connection is made up of (Fig. 2.3):

- the appliance inlet pipe;
- the floating nut;
- the brass elbow;
- the brass conical connector [1/2” BSP taper (conical), BS EN 10226-1, male thread];
- sealing washers;
- the Town gas pressure regulator.

Important!

- If fitted, remove the hose holder from the terminal fitting of the inlet pipe.
- The brass conical connector is not already fitted on the appliance (it is supplied in a separate kit); screw that connector to the brass elbow, interposing the sealing washer provided, before starting the connection to the gas supply. Be sure to fit the conical connector as indicated in figure 2.3. Pay special attention to not loosen the elbow and floating nut connection when fitting the brass connector.

When connecting the cooktop to the town gas supply, make sure that

- a gas pressure regulator, in compliance with the applicable local regulations, is installed when connecting to Town gas. Do not over tighten the brass conical connector and the flexible hose to the regulator. Over tightening may crack regulator. Refer also to the chapter “ADJUSTMENT OF THE EXTERNAL GAS REGULATOR (TOWN GAS)”.
- you use flexible hose complying with applicable local regulations.
- the flexible connection shall be of heavy duty tubing complying with BS 669: Part 1: 1989 or equivalent.
- both ends of the tubing shall be tapered thread connection to BS EN 10226-1.
- the flexible hose shall be located in an easily accessible position for inspection, to check its condition. It has to be replaced if it shows signs of wear or damage. If it has an expiry date, it should be replaced before that date.
- the flexible hose shall be suitable for the type of gas supply and supply pressure to which it will be connected.
- the flexible hose shall not be more than one meter in length for domestic appliance connection. Use a single flexible hose only; never connect the cooktop with more than one flexible hose.
- the flexible hose shall not be subjected to any undue excessive forces either in normal use or whilst being connected or disconnected.
- the flexible hose shall not be subjected to excessive heat by direct exposure or by contact with hot surfaces.
- the flexible hose shall be fixed so that it hangs freely in a curved position without strain in accordance with the manufacturer installation manual.
- the flexible hose shall be installed in a manner that there is no mechanical damage, i.e. abrasion from furniture drawers, doors, moving parts in kitchen work stations or corners, sharp edges.
- you inform the customer that the cylinder valve or the supply valve immediately by the appliance should be closed when the cooktop is not in use.
- you inform the customer that the flexible hose should not be subjected to corrosion by acidic cleaning agents.

After connecting the appliance to the gas supply, make sure that you

- check that the connections are correctly sealed using a soapy solution, but never a naked flame.
- check whether the injectors are correct for the type of gas being used. If not, follow the instructions under “GAS MAINTENANCE”.
- replace the sealing washers (between the floating nut and the brass elbow and between the brass elbow and the brass conical connector) on the slightest sign of deformation or imperfection. The sealing washers are the parts which guarantee a good seal in the gas connection.

Gas connection for Town gas only

Note: if already fitted, remove the rubber hose holder.

Important: fit the brass conical connector (supplied in a separate kit) to the brass elbow.

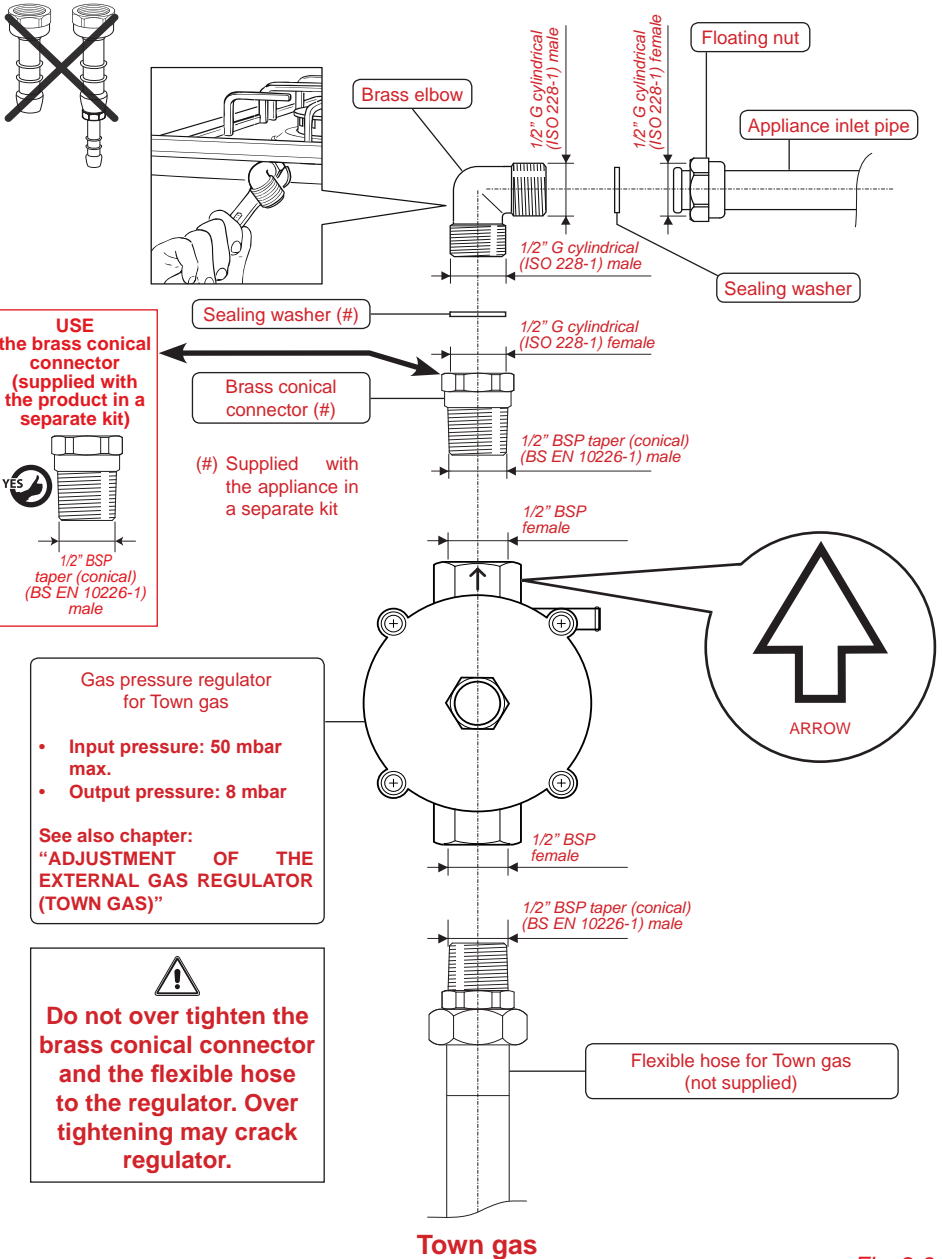


Fig. 2.3

TESTING OPERATION (FOR ALL GASES AND ALL TYPES OF CONNECTIONS)

The operation of the appliance MUST be tested before leaving.

Turn on the gas and light each burner. Check for a well-defined blue flame without any yellow tipping. If any abnormality is evident, check that the burner cap is located properly and the injector nipple is aligned correctly.

Check the minimum burner setting by quickly rotating the burner knobs from the maximum to the minimum position: the flame must not go out. If the adjustment is required, see section "SETTING THE MINIMUM OF THE COOKTOP BURNERS" following.

If satisfactory performance cannot be obtained, check the installation and notify the local gas supply authority of a gas supply problem, or if it is an appliance problem, Customer Care should be called to obtain the nearest authorised Service Agent.

GAS MAINTENANCE

TABLE FOR THE CHOICE OF THE INJECTORS

BURNERS	Nominal power [kW]	Reduced power [kW]	LPG G30 28 mbar	Natural Gas G20 20 mbar	Town Gas G110 8 mbar
			Ø injector [1/100 mm]	Ø injector [1/100 mm]	Ø injector [1/100 mm]
Semi-rapid (SR)	1,75	0,45	66	101	192
Rapid (R)	3,00	0,75	87	129	280
Triple-ring (TR)	3,80	1,50	98	141	350

AIR VENT NECESSARY FOR GAS COMBUSTION = $(2 \text{ m}^3/\text{h} \times \text{kW})$

BURNERS	Air necessary for combustion [m ³ /h]
Semi-rapid (SR)	3,50
Rapid (R)	6,00
Triple-ring (TR)	7,60

LUBRICATION OF THE GAS TAPS

In case of difficulty in the gas taps operation, call Service.

IMPORTANT

All intervention regarding installation maintenance of the appliance must be fulfilled with original factory parts.

The manufacturer declines any liability resulting from the non-compliance of this obligation.

REPLACEMENT OF THE INJECTORS

If the injectors are not supplied they can be obtained from the “Service Centre”.

Select the injectors to be replaced according to the “TABLE FOR THE CHOICE OF THE INJECTORS”.

The nozzle diameters, expressed in hundredths of a millimeter, are marked on the body of each injector.

REPLACEMENT OF THE INJECTORS OF THE COOKTOP BURNERS

To replace the injectors proceed as follows:

- Remove pan supports and burners from the cooktop.
- Using a wrench, substitute the injectors “J” (figs. 2.4a, 2.4b) with those most suitable for the kind of gas for which it is to be used.
- After having modified the injectors, the gas regulation label (at the bottom of the appliance) shall be replaced by the new label supplied together with the injectors gas conversion kit.

The burners are conceived in such a way so as not to require the regulation of the primary air.

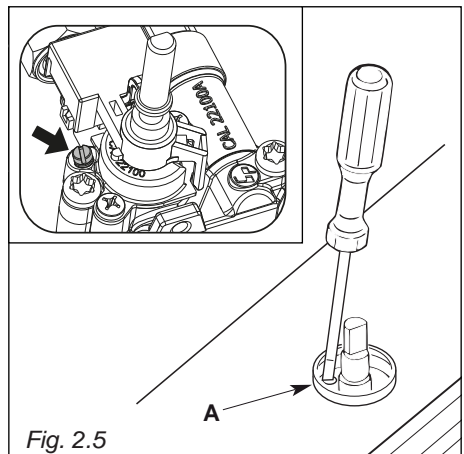
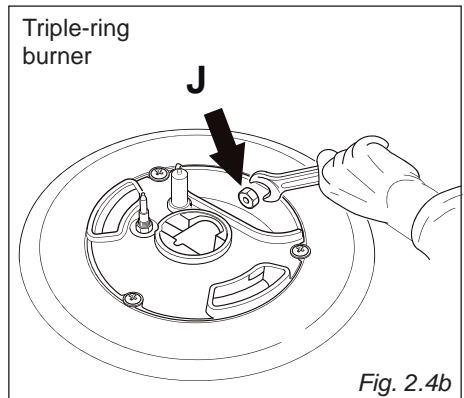
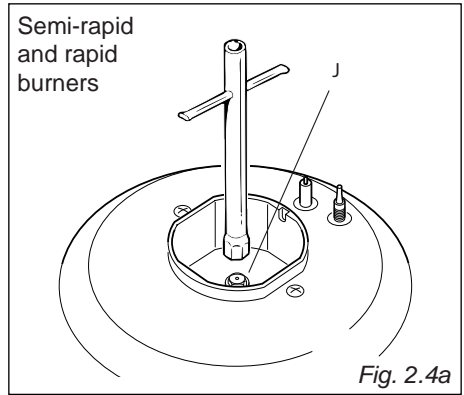
SETTING THE MINIMUM OF THE COOKTOP BURNERS

In the minimum position the flame must have a length of about 4 mm and must remain lit even with a quick turn from the maximum position to that of minimum.

The flame adjustment is done in the following way:

- Turn on the burner.
- Turn the tap to the 'MINIMUM' position.
- Take off the knob.
- With a small flat screwdriver turn the screw “A” to the correct regulation (fig. 2.5).

Normally for LPG (G30 50mbar), tighten up the regulation screw.



ADJUSTMENT OF THE EXTERNAL GAS REGULATOR (TOWN GAS)

For Town Gas (TG) installation, external gas pressure regulator must be installed.

The TG regulator (provided with the appliance) has the specifications as per Fig. 2.6.

To regulate the external gas pressure regulator, it is necessary to follow the following steps:

1. Connect the gas regulator to the appliance (arrow up) and the other end to the town gas flexible hose (refer to the chapter "GAS CONNECTION FOR TOWN GAS ONLY" and to Fig. 2.3).
2. Remove the screw from the test point. Make sure that the rubber gasket is intact with the screw when removing.
3. Adjust the pressure by using the gas test gauge (U-gauge).
Connect the U-gauge to the test point with tube hose (refer to Fig. 2.7).
Turn on the gas burner (the biggest burner) to the maximum power and adjust the pressure to 8 mbar by using the adjustable screw.
4. After setting is completed, lock the pressure (8 mbar) by tightening the locking nut and re-mount the test point screw (make sure that the rubber gasket is intact with the screw).
5. Perform gas leak test after installation is completed (using a soapy solution, but never a naked flame).

Details of the regulator:

MDG ELITRE GVN-01

- **Model number: EL-12550 (EL-125)**
- **Gas inlet/outlet connection: ½ inch BSP internal thread**
- **Maximum inlet pressure: 50 mbar**
- **Regulated nominal outlet pressure: 8 mbar**

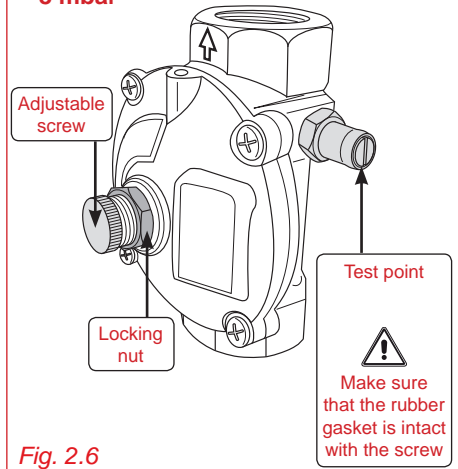


Fig. 2.6

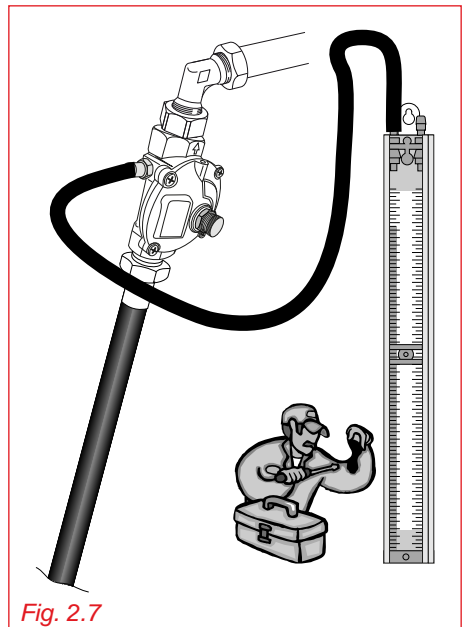


Fig. 2.7

3

ELECTRICAL SECTION

IMPORTANT: The appliance must be installed by a qualified technician according with the current local regulations and in compliance with the manufacturer instructions. Incorrect installation might cause harm and damage to people, animals or objects, for which the manufacturer accepts no responsibility.

Connection to a good earth wiring system is absolutely essential. The manufacturer accepts no responsibility for any inconvenience caused by failure to comply with this rule.

Before carrying out any work on the electrical section of the appliance, it must be disconnected from the mains.

GENERAL

- Connection to the electric power supply must be carried out by a qualified technician and following the appropriate safety regulations.
- The appliance must be connected to the mains checking that the voltage corresponds to the value given in the rating plate and that the electrical cable sections can withstand the load specified on the plate.
- If the hob is supplied without plug, fit a standard plug which is suitable for the power absorbed by the appliance and in conformity with the local rules in force.
- The colours of the wires in the appliance power cable may not correspond with the colours marked on the terminals of your electrical plug. The plug should always be wired as follows:
 - connect the green/yellow wire to the terminal marked with the letter “E” or the earth symbol “ \perp ” or coloured green/yellow;

- connect the blue wire to the terminal marked with the letter “N” or coloured black;
- connect the brown wire to the terminal marked with the letter “L” or coloured red.
- The plug must be connected to an outlet connected to the grounding unit in conformity to security norms.
- If the appliance is to be connected directly to the mains, it must be placed with an omnipolar switch with minimum opening between the contacts of 3 mm between the appliance and the mains.
- The power supply cable must not touch the hot parts and must be positioned so that it does not exceed 50°C above ambient.
- Once the appliance has been installed, the power switch or power plug must always be in a accessible position.
- If the power supply cable is damaged it must be substituted by a suitable cable available in the after sales service.
- The appliance must have its own supply; any other appliances installed near it must be supplied separately.
- **N.B. For connection to the mains, do not use adapters, reducers or branching devices as they can cause overheating and burning.**
- **If the hob surface is cracked disconnect the appliance from the mains and contact the After-Sales Service.**

In the event that installation should require modifications to the mains supply wiring system, it is recommended that a qualified technician be called to carry out substitution.

The technician will also have to verify that the cross-section of the electric cables on the power point match the appliance's power rating.

REPLACING THE POWER SUPPLY CABLE

WARNING: If the power supply cable is damaged, it must be replaced only by an authorized service agent in order to avoid a hazard.

Use the same type of power supply cable.

This cable must be connected to the terminal block following the diagram in fig. 3.1.

NOTE: The earth conductor must be left about 3 cm longer than the others.

SECTION OF THE SUPPLY CABLE

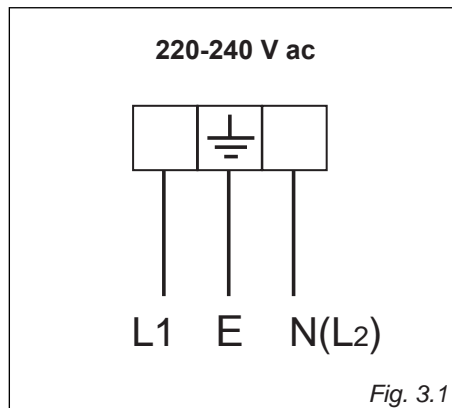
TYPE "H05V2V2-F"

resistant to temperatures of 90°C

220-240 V 50/60 Hz 3 x 0,75 mm² (*) (**)

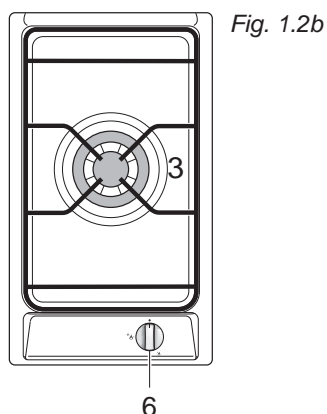
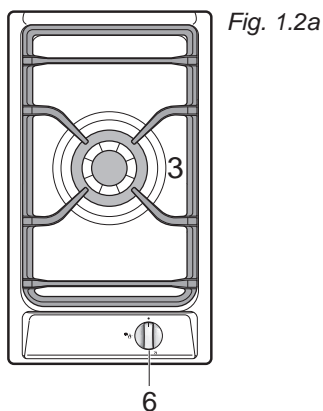
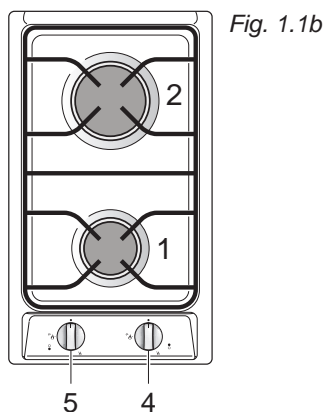
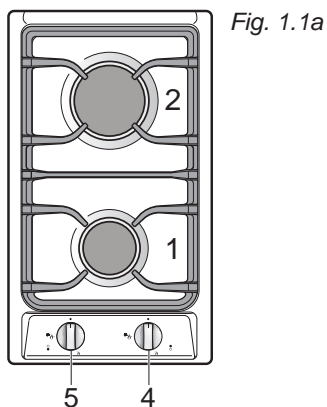
(*) Connection possible with plug and outlet

(**) Connection with wall box connection.



ADVICE
for the
USERS

1 FEATURES



COOKING POINTS

- | | |
|----------------------------|---------|
| 1. Semirapid burner (SR) | 1,75 kW |
| 2. Rapid burner (R) | 3,00 kW |
| 3. Triple ring burner (TR) | 3,50 kW |

CONTROL PANEL DESCRIPTION

4. Rapid burner control knob (2)
5. Semirapid burner control knob (1)
6. Triple-ring burner control knob (3)

NOTE:

- The electric ignition is incorporated in the knobs.
- The model has a safety valve system fitted, the flow of gas will be stopped if and when the flame should accidentally go out.




2

GAS BURNERS

GAS BURNERS

Gas flow to the burners is adjusted by turning the knobs (illustrated in fig. 2.1) which control the safety valves.

Turning the knob, so that the indicator line points to the symbols printed on the panel, achieves the following functions:

- symbol  closed valve
 - symbol  maximum aperture or flow
 - symbol  minimum aperture or flow
- The maximum aperture position permits rapid boiling of liquids, whereas the minimum aperture position allows slower warming of food or maintaining boiling conditions of liquids.
 - To reduce the gas flow to minimum rotate the knob further anti-clockwise to point the indicator towards the small flame symbol.
 - Other intermediate operating adjustments can be achieved by positioning the indicator between the maximum and minimum aperture positions, and never between the maximum aperture and closed positions.

NOTE: The knob and symbols may vary.

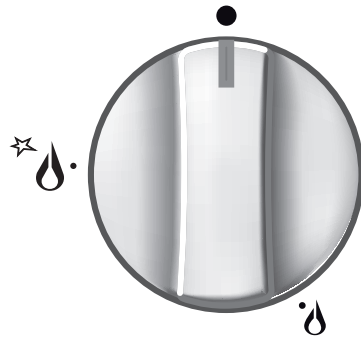


Fig. 2.1

Caution!

Do not cover the hob with aluminium foils.

Caution!

The cooking hob becomes very hot during operation. Keep children well out of reach.

N.B. When the cooktop is not being used, set the gas knobs to their closed positions and also close the cock valve on the gas bottle or the main gas supply line.

CAUTION:

If the burner is accidentally extinguished, turn the gas off at the control knob and wait at least 1 minute before attempting to relight.

CAUTION:


Gas hobs produce heat and humidity in the environment in which they are installed. Ensure that the cooking area is well ventilated by opening the natural ventilation grilles or by installing an extractor hood connected to an outlet duct.

CAUTION:

If the hob is used for a prolonged time it may be necessary to provide further ventilation by opening a window or by increasing the suction power of the extractor hood (if fitted).

LIGHTING GAS BURNERS FITTED WITH SAFETY VALVE DEVICE

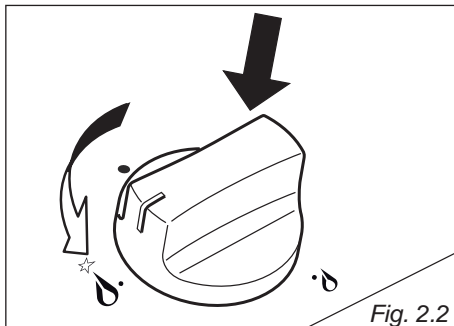
To ignite the burner, the following instructions are to be followed:

1. Press in the corresponding knob and turn counter-clockwise (fig. 2.2) to the full flame position marked by the  symbol (fig. 2.1); hold the knob in until the flame has been lit.
In the case of a mains failure light the burner with a match or lighted taper.
2. Wait for a few seconds after the gas burner has been lit before letting go of the knob (valve activation delay).
3. Adjust the gas valve to the desired position.

If the burner flame should go out for some reason, the safety valve will automatically stop the gas flow.

To re-light the burner, return the knob to the closed “●” position, **wait for at least 1 minute** and then repeat the lighting procedure.

Note: If your local gas supply makes it difficult to light the burner with the knob set to maximum, set the knob to minimum and repeat the operation.



CHOICE OF THE BURNER

On the control panel, near every knob there is a diagram that indicates which burner is controlled by that knob.

The suitable burner must be chosen according to the diameter and the capacity used.

The burners and pans must be used in accordance with the following instructions:

DIAMETERS OF PANS WHICH MAY BE USED ON THE BURNERS

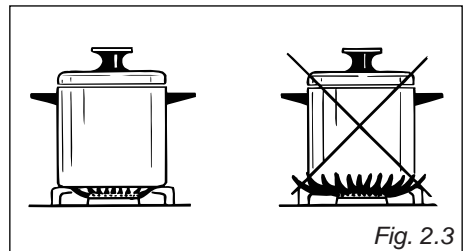
BURNERS	MINIMUM	MAXIMUM
Semi-rapid	16 cm	22 cm
Rapid	22 cm	26 cm
Triple-ring	24 cm	28 cm
Wok	-	Max 36 cm

do not use pans with concave or convex bases

It is important that the diameter of the pot be suitable to the potentiality of the burner so as not to compromise the high output of the burners and therefore energy waste. A small pot on a large burner does not give you a boiling point in a shorter amount of time since the capacity of heat absorption of a liquid mass depends on the volume and the surface of the pot.

CAUTION: Make sure the pans are central to the burner for maximum stability and greater efficiency.

Make sure the pans are not in contact with the control knobs, otherwise the flame could overheat the knobs and permanently damage them.

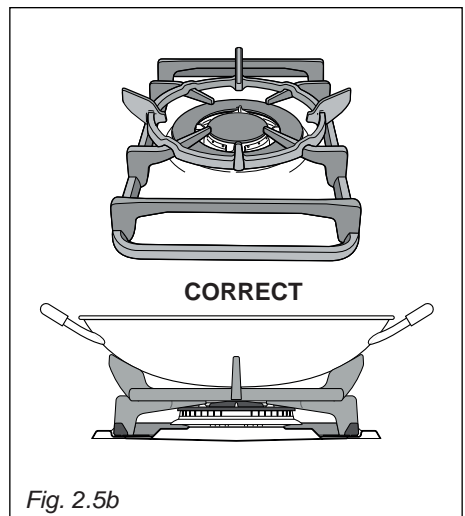
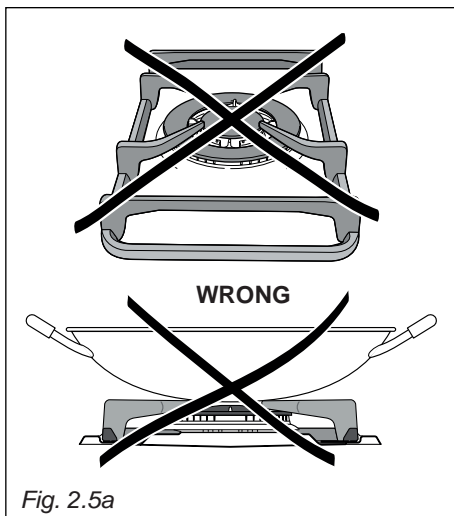
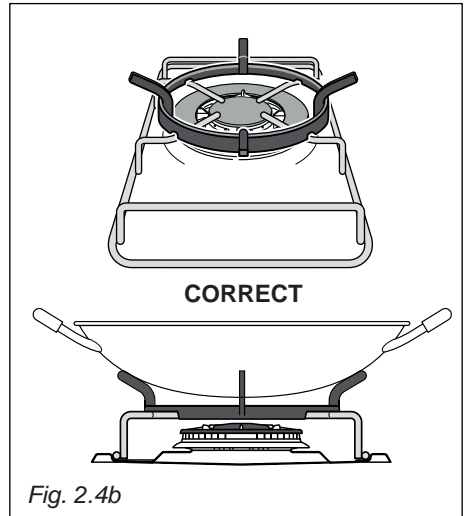
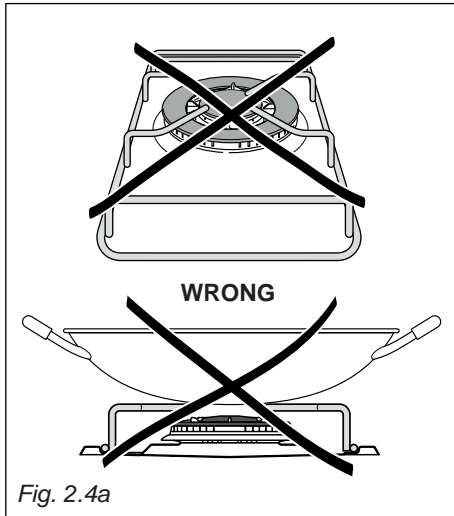


CORRECT USE OF TRIPLE-RING BURNER- OPTIONAL

- To use the WOK you need to place the proper stand (if the the wok pan adapter is not supplied with the appliance, it is available as an accessory at extra cost) in order to avoid any faulty operation of the triple-ring burner (figs. 2.4a - 2.4b - 2.5a - 2.5b).
- The flat-bottomed pans are to be placed directly onto the pan-support.

IMPORTANT:

- The special grille for wok pans (fig. 2.4b - 2.5b) **MUST BE PLACED ONLY** over the panrest for the triple-ring burner.



3

CLEANING AND MAINTENANCE

GENERAL ADVICE

- Before you begin cleaning you must ensure that the hob is switched off.
- It is advisable to clean when the appliance is cold and especially when cleaning the enamelled parts.
- All enamelled surfaces have to be washed with soapy water or some other non-abrasive product with a sponge and are to be dried preferably with a soft cloth.
- Avoid leaving alkaline or acid substances (lemon juice, vinegar etc.) on the surfaces.
- Do not use cleaning products with a chlorine or acidic base.
- Important: The use of suitable protective clothing/gloves is recommended when handling or cleaning of this appliance.
- Under no circumstances should any external covers be removed for servicing or maintenance except by suitable qualified personnel.

WARNING

When correctly installed, your product meets all safety requirements laid down for this type of product category. However special care should be taken around the underneath of the appliance as this area is not designed or intended to be touched and may contain sharp or rough edges, that may cause injury.

ENAMELLED PARTS

- All the enamelled parts must be cleaned with a sponge and soapy water only or other non-abrasive products.
- Dry preferably with a microfibre or soft cloth.
If acid substances such as lemon juice, tomato conserve, vinegar etc. are left on the enamel for a long time they will etch it, making it opaque.

STAINLESS STEEL ELEMENTS

- Stainless steel parts must be rinsed with water and dried with a soft and clean cloth.
- For persistent dirt, use specific non-abrasive products available commercially or a little hot vinegar.
- **Note: regular use could cause discolouring around the burners, because of the high flame temperature.**

Important: The manufacturer declines all liability for possible damage caused by the use of unsuitable products to clean the appliance.

Attention! The appliance gets very hot, mainly around the cooking areas. It is very important that children are not left alone in the kitchen when you are cooking.

Do not use a steam cleaner because the moisture can get into the appliance thus make it unsafe.

COOKING HOBS WITH GLASS LID (optional)



Do not shut lid when burner alight.

ATTENTION

- ✓ Do not lower the glass lid when the gas burner are still hot and when the oven, installed below the cooking hob, is on or still hot.
- ✓ Do not lay on the glass lid hot pans and heavy kitchen utensils.
- ✓ Dry off any liquid which may have spilt on the cover before opening it.

GAS TAPS

Periodic lubrication of the gas taps must be carried out by specialist personnel only. In the event of operating faults in the gas taps, call the Service Department.

CONTROL KNOB

The control knobs may be removed for cleaning but care should be taken not to damage the seal.

BURNERS AND GRIDS

These parts must be cleaned using a sponge and soapy water or other suitable non-abrasive products. Dry with a soft cloth.

Warning! Not dishwasher safe.

After cleaning, the burners and their flame spreaders must be well dried and correctly replaced.

It is very important to check that the burner flame spreader and the cap have been correctly positioned. Failure to do so can cause serious problems.

Keep the electrode clean so that the sparks always strike.

Note: To avoid damage to the electric ignition do not use it when the burners are not in place.

Note: Continuous use may cause a change in the glaze around the burners and grids, corresponding to the areas exposed to the heat. This is a natural phenomenon and does not prevent the parts from working properly.

CORRECT REPLACEMENT OF THE SEMIRAPID AND RAPID BURNERS

It is very important to check that the burner flame spreader “F” and the cap “C” have been correctly positioned (see figs. 3.1 and 3.2) Failure to do so can cause serious problems.

Check that the electrode “S” (figs. 3.1 - 3.3) is always clean to ensure trouble-free sparking.

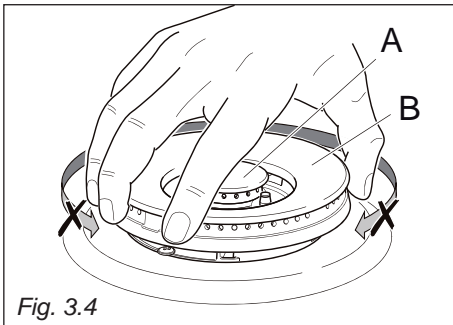
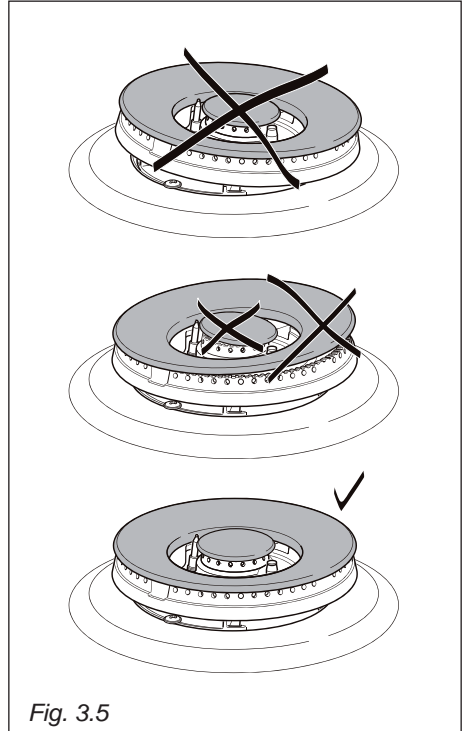
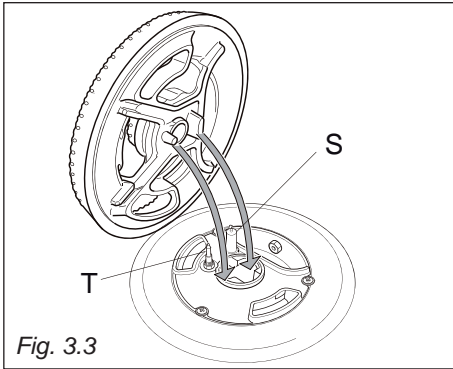
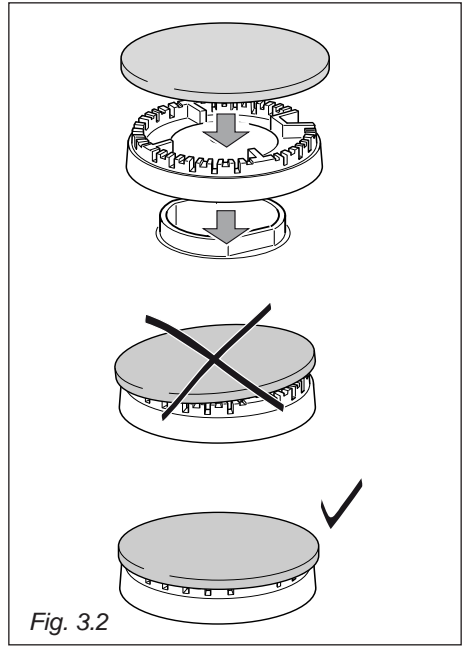
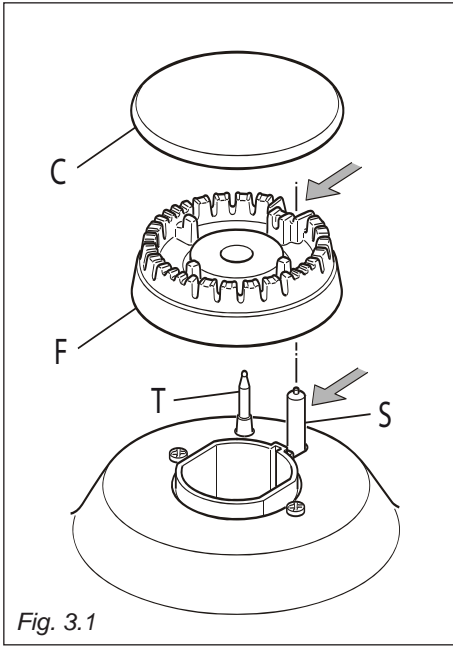
Check that the probe “T” (figs. 3.1 - 3.3) next to each burner is always clean to ensure correct operation of the safety valves.

Both the probe and ignition plug must be very carefully cleaned.

CORRECT POSITION OF TRIPLE RING BURNER

The triple ring burner must be correctly positioned (see fig. 3.3); the burner rib must be fitted in its housing as shown by the arrow.

Then position the cap “A” and the ring “B” (fig. 3.4 - 3.5). The burner correctly positioned must not rotate (fig. 3.4).



The manufacturer cannot be held responsible for possible inaccuracies due to printing or transcription errors in the present booklet.

The manufacturer reserves the right to make all modifications to its products deemed necessary for manufacturer commercial reasons at any moment and without prior notice, without jeopardising the essential functional and safety characteristics of the appliances.

